

## TWINSPOT



LED Twin Spot



# LED Emergency Twin Spot

New generation Grove TwinSpot fittings with vastly improved lumen output. Both fittings now boast an impressive 720m output.

## Features

- No of LEDs per head: 15 | low maintenance
- Power consumption: 15W (emergency mode)
- Uses 50% power than that of a Tungsten halogen
- Lumen output: 720lm (emergency mode)
- Material: white metal body/ polycarbonate lamps & lenses.
- IP Rating: IP20 & IP65 | non-maintained mode only
- Compliance: BS EN 60598-2-22 and other relevant standards.

## Features in the Grove Standard

- Ingress protection to IP20
- Steel body, polycarbonate lamps and lenses

## Features in the Grove IP65

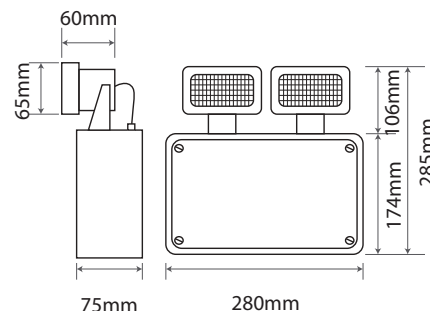
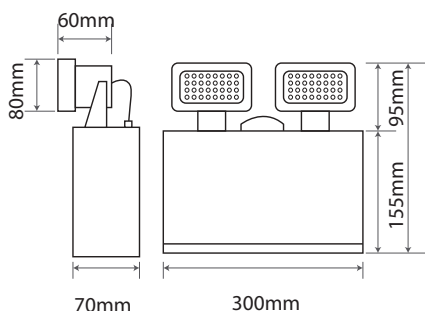
- Ingress protection to IP65
- White polycarbonate body, lamps & lenses
- Infra-Red remote control option



Standard Grove Twin Spot



Grove IP65 Twin Spot  
With remote control option



PRODUCT CODE	DESCRIPTION
E/GR/NM3/LED/2	Grove Twin 15 x LED floodlight, 3 hour non-maintained white lamps
E/GR/NM3/LED/IP65/2/RC	Grove Twin 2 x LED floodlight 3 hour non-maintained with white lamps
B/BATT/GROVE/3	9.6V Battery Pack for Grove
E/GR/NM3/LED/IP65/ST	Grove Twin 2x LED floodlight 3 hour non-maintained with white lamps self Test version

### PHOTOMETRIC SPACING DATA (1 lux)

E/GR/NM3/LED/2



Mounting height	Back - Side - Front	
2.5m	3.5m - 3.9m - 6.5m	10.0m
4m	4.0 - 4.5m - 7.0m	12.5m
6m	4.5m - 5.0m - 7.5m	13.5m
8m	5.0m - 5.5m - 8.5m	15.0m

### PHOTOMETRIC SPACING DATA (1 lux)

E/GR/NM3/LED/IP65/2/RC



Mounting height	Back - Side - Front	
2.5m	3.9m - 4.9m - 8.0m	10.0m
4m	4.8m - 5.6m - 10.0m	13.0m
6m	5.5m - 7.0m - 12.5m	15.0m
8m	5.6m - 7.6m - 13.3m	15.3m

### SPECIFICATIONS

Light Source	720 lumen output (emergency mode)
IP Rating	IP20 & IP65 options
Emergency Duration	3 hours (minimum)
Mains Voltage	230V 50Hz ±10%
Mains Current (max)	15 W (emergency mode)
Mounting	In any orientation
Recharge Period	Less than 24 hours
Charge Indicator	Integral green LED
Changeover Voltage	As per the requirements of BS EN 60598-2-22
Temperature Range	0°C to 40°C
Weights	IP20 - 2.2kg IP65 - 1.95Kg
Battery	10 cell size C Nickel Cadmium 2200mAH

Errors & omissions excluded. Specification is subject to change without notice.

revision 017-1

