

### INCLUDED HARDWARE

DESCRIPTION	QTY.	SPECIFICATIONS
Philips head long screws	2	1 1/2"
Philips head short screws	2	5/8"
Plastic Bracket	1	Choice of colour
Arrow covers	2	2"x 2" Self - Adhesive

### PREPARATION

Remove frame and window by depressing the frame release button, then select the method of mounting (surface, flag, ceiling, etc...)

Remove the plastic film from the legend .

Remove plastic film from arrow covers, then peel back and apply to conceal unneeded directional arrow(s)

### SURFACE INSTALLATION

The sign has eight (8) surface mounting holes; select the best two (2) for your application, FIG (B), then using the hardware provided, affix to wall.

Put legend in place, then replace the window and frame, layering each as shown in FIG. (A).

### BRACKET INSTALLATION

**NOTE:** Mount bracket to wall or ceiling using the two 1 1/2 Philips head long screws provided BEFORE affixing the sign to the bracket.

The supplied bracket can be used for either ceiling or flag mounting, as shown. If the bracket is going to be used, mount bracket and affix sign in desired position using the two 5/8 Philips head short screws provided (FIG. C).

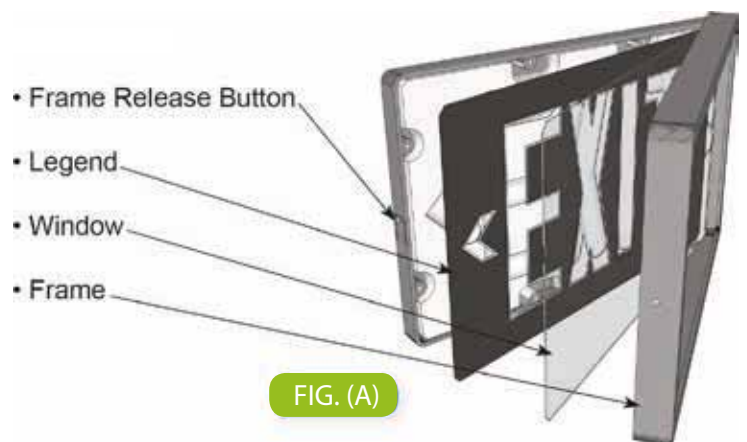
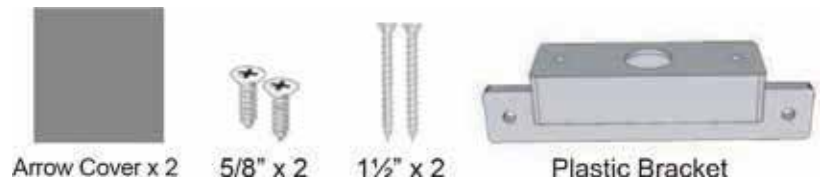


FIG. (A)

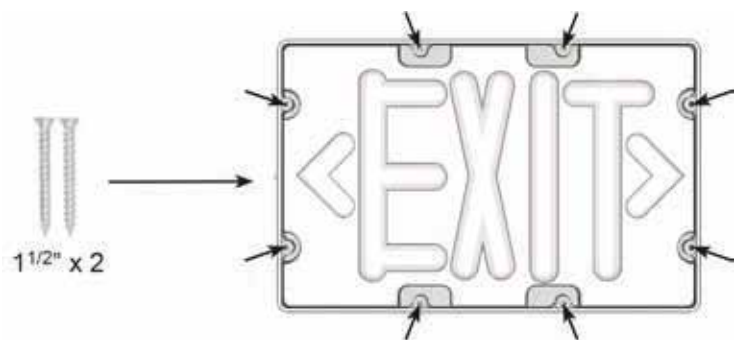


FIG. (B)

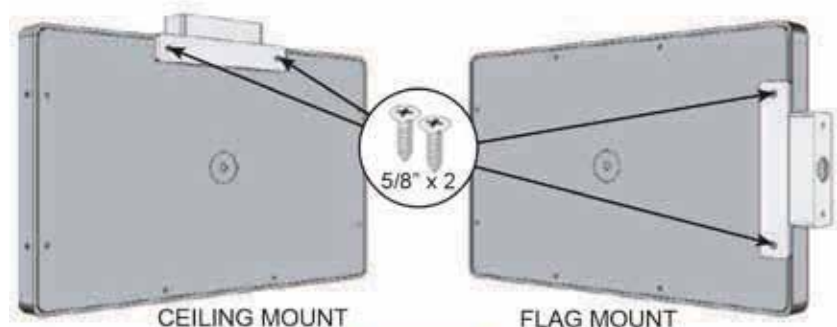
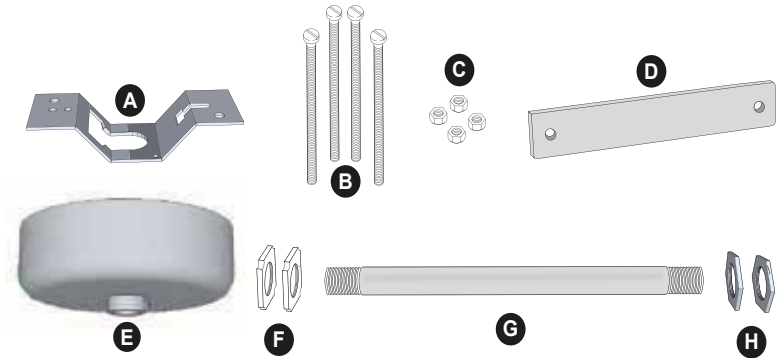


FIG. (C)

#### OPTIONAL HARDWARE

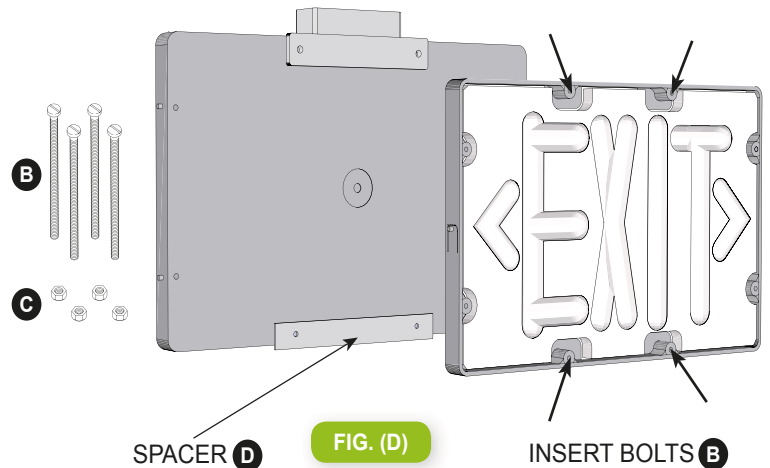
ITEM	DESCRIPTION	QTY.	SPECS.
A	Ceiling Mounting Bracket	1	Steel
B	Round Head Bolts	4	1 5/8"
C	Nuts	4	7/32"
D	Spacer	1	Steel
E	Canopy	1	Choice of Color
F	Nuts for Pendant Mount	2	Steel
G	Pendant	1	Choice of Color
H	Hex Nuts	2	Steel



#### DOUBLE SIGN MOUNTING

The supplied bracket can be used to mount two back-to-back signs on a wall or ceiling using the supplied 1 5/8" phillips round head bolts. Remove the frame, clear window and legend from the two signs. Using the four (4) bolts and nuts provided, affix signs to the bracket and spacer as shown. Replace legends, clear windows and frames.

**NOTE:** Only ceiling mount is shown, for flag mount, place bracket and spacer in appropriate positions



#### PENDANT MOUNTING

Affix ceiling mounting bracket (A) to ceiling. Secure pendant (G) into position using nuts for pendant mount (F). Slide canopy (E) over pendant (G) until ceiling mounting bracket (A) is concealed, tighten canopy screw. Attach plastic bracket (I) to pendant using hex nuts (H). Attach sign to the plastic bracket using the self-tapping 5/8" screws provided (see FIG. C).

