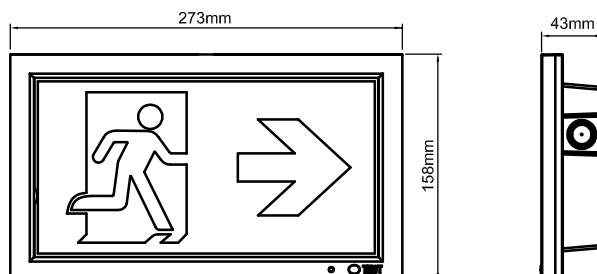


INSTALLATION INSTRUCTIONS FOR LED EXIT SIGN



Product Feature

Power Supply	: 220-240VAC, 50/60 Hz	Emergency Duration	: 1 Hour / 3 Hours
Power Consumption	: Max. 3.5W	Protection Class	: II
Ambient Operating Temp	: -5°C...+45°C	IP Rating	: IP20
Charge Time	: 24 Hours	Function	: AUTO test or Manual test
Operation	: Maintained and Non maintained	Installation	: Wall mount or flush mount
		Viewing distance	: 24m

Precautions

This product should be installed by a registered electrician in accordance with local standards and electrical regulations. Take care to ensure the mains supply is isolated before installation.

Service & Operation

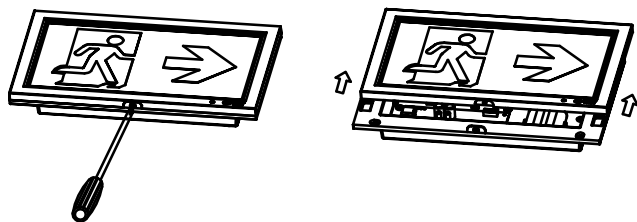
Normal Operation: The green indicator light on the front of the unit stays on. The indicator will turn off if the mains supply fails, the internal charger malfunctions, or the unit in test mode.

Battery: Sealed Ni-Cad or Ni-Mh rechargeable battery pack. Battery should be replaced when the required duration is no longer achieved. To avoid any damage to the fixture and ensure its performance, the battery should be replaced with same brand and type.

Test Switch: Press the test switch button, LED indicator will turn off and the sign will be illuminate from its battery pack.

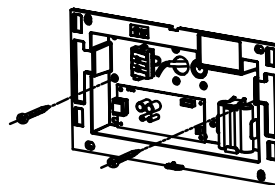
Mounting Instructions

① Open fixture



- Remove screw by screwdriver.
- Slide face panel to top then remove face panel, disconnect LED strip & test switch connector from PCBA.

② Wall surface mounting



- Knock out appropriate cable entry hole and mounting screw hole on the fixture housing.
- Route AC supply wire through center hole of fixture housing.
- Fix fixture housing on the mount surface with screws and anchor nuts.

③ Flush mounting

Cut out hole dimension
230mm
122mm

- Ⓐ Make cut out hole on mounting surface for flush mounting.
- Ⓑ Install fixture on mounting surface by screws.

④ Wiring connection

Suitable cable 0.75-2.5mm²

Battery connect

- Ⓐ Connect AC supply cable to terminal block, reference wiring struction below.
- Ⓑ Attach battery connector on PCBA.

⑤ Restore face panel

LED strip& test switch connector

- Ⓐ Attach LED strip & test switch connector on PCBA.
- Ⓑ Slide face panel on fixture then fixed by screw.

⑥ Change pictogram when necessary

Remove the pictogram on the unit, select other pictogram you need then insert into slot of panel.

Wiring Instructions

Maintained Wiring

To PCBA Terminal block AC input

Unswitched Live

Switched Live

Neutral

Maintained (default operation):
Connect L,N and leave jumper cable connected.

Non-Maintained Wiring

To PCBA Terminal block AC input

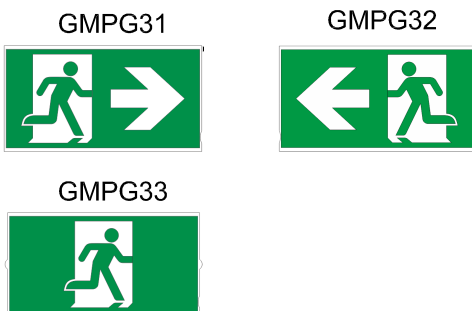
Unswitched Live

Switched Live

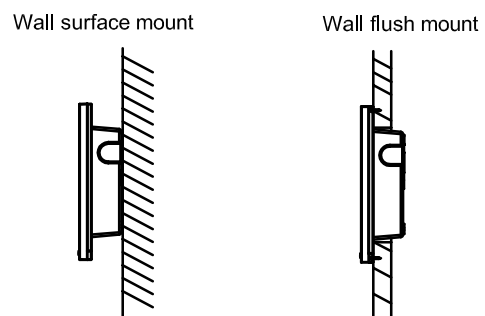
Neutral

Non-maintained:
Connect L,N and remove jumper cable.

Pictogram Styles



Mounting Options



Technical Information

Model Number	Input Voltage	Charge Duration	Discharge Duration	Battery	Power Consumption	LEDs
	220-240V~50/60Hz	24h	1 h	Ni-cad or Ni-Mh 3.6V 0.6Ah	3.5W Max.	SMD 2835 14 pcs
	220-240V~50/60Hz	24h	3 h	Ni-cad or Ni-Mh 3.6V 0.9Ah	3.5W Max.	SMD 2835 14 pcs
	220-240V~50/60Hz	24h	3 h	Ni-Mh 3.6V 2.0Ah	3.5W Max.	SMD 2835 14 pcs