

### Track Emergency Downlight

#### Azelio Track

##### Instruction Manual

The Azelio Track emergency light is a Non-Maintained Emergency Light. It is supplied with a 3 circuit Global Track adapter.

#### Technical Specification:

- Line Voltage: 220-240Vac, 50~60Hz
- Lamp Type: 3W White LED
- 3 hr Emergency Lighting Duration
- Non-Maintained mode
- Monitoring Battery Connection
- CE approved

Parameter	Value			Unit
	Min	Typ	Max	
Line Voltage	220		240	[Vac]
Line Frequency		50		[Hz]
Environment Temperature Range	0		50	[°C]
Driver Case Temperature (max)			70	[°C]
Battery Nominal Voltage		3.6v		[V]
Battery Nominal Capacity		1800		[mAh]
LED Drive Current		500		[mA]
Emergency Lighting Duration		3		[hours]

#### ELECTRICAL INSTALLATION

This light must be installed in accordance with current building and wiring regulations by a qualified person.

NOTE: This non-maintained emergency light requires connection to an un-switched live supply. The correct track phase that has been connected to the un-switched supply should be selected on the track adapter. This may require changing from the factory chosen position.

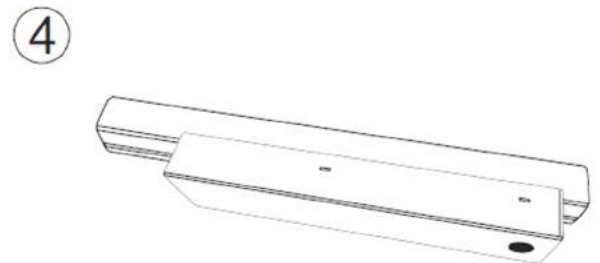
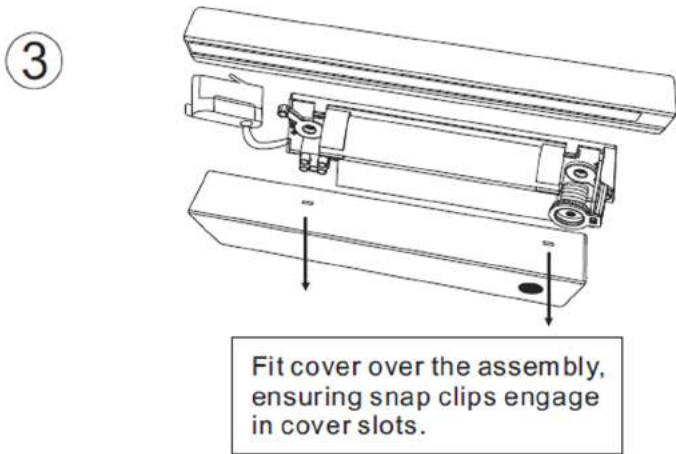
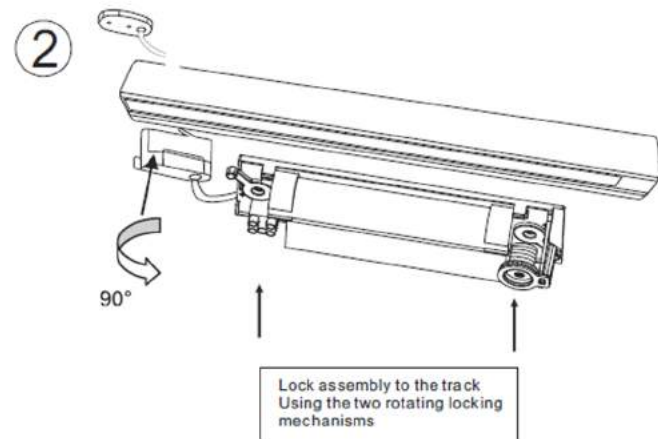
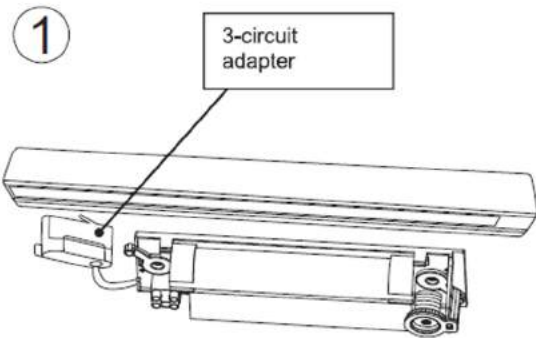
Ensure that the correct phase is selected on the adapter, and fit to the track in the required location.

### Track Emergency Downlight

#### Azelio Track

##### Instruction Manual

To remove the cover use suitable tool to press in the four locking tabs on the side of the cover.



#### LED indicator Status:

1. Green LED On indicates normal status, battery connected and charging.
2. White LED On during power failure.